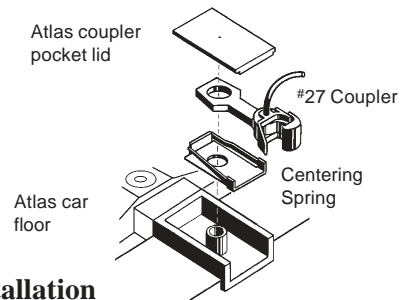


# ATLAS

# CABOOSE EXTENDED VISION

## #27 COUPLER CONVERSION

1. Pull off coupler pocket lid and remove and discard couplers.
2. Place Centering Spring and Coupler over centerpost in coupler pocket and secure with Atlas coupler pocket lid.
3. Check for correct coupler height, function, and clearance and make any adjustments necessary.



**Fig.1**

**#27 Installation**