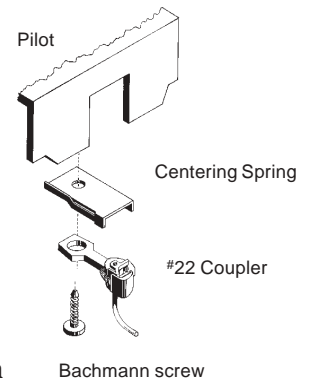


BACHMANN SPECTRUM**GE 70 TON SWITCHER****#22 COUPLER CONVERSION**

1. Remove the existing screw, cover clip and coupler. Discard coupler.
2. Assemble the #22 Coupler as shown in Fig.1, with the Centering Spring on top.
3. Secure coupler assembly with Bachmann coupler cover clip and Bachmann screw.
4. Check for correct coupler height, function, and clearance and make any adjustments necessary.

**Fig.1****#22 Installation**