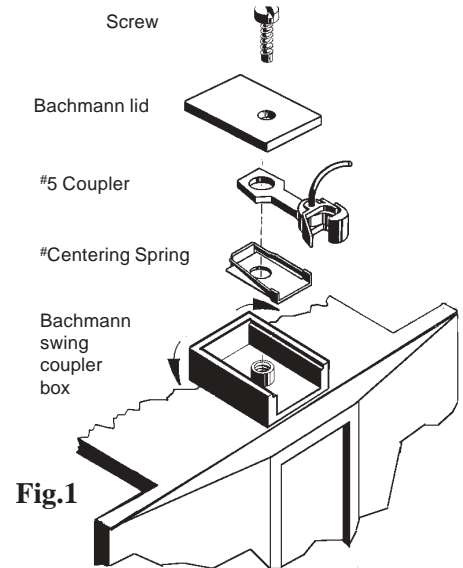


BACHMANN SPECTRUM**1998 PASSENGER CARS****NO.5® OR #58 COUPLER CONVERSION**

1. Remove the screw and existing coupler. Save screw.
2. Assemble the No.5® or #58 Coupler with Centering Spring on top. Place Lid on Draft Gear Box and secure with screw.
3. Check for correct coupler height, function, and clearance and make any adjustments necessary.



**No.5® or #58
Installation in
Bachmann swing box**