

# IHC SD-24 Diesel Locomotive HO scale

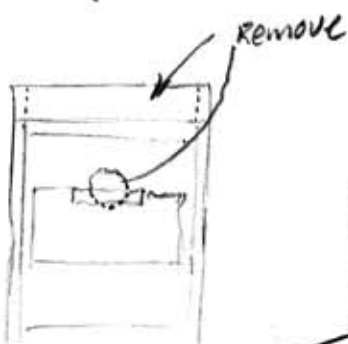
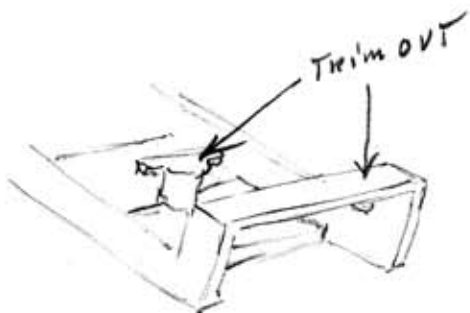
#38 or #58 scale coupler in a 30 series Draft gear box.

Pull out ORIGINAL coupler, Remove gear housing cover from truck (it snaps at the rear). Trim post and remaining tab off and out of opening.

Make a two piece shim to fit on top and into opening. (As illustrated). glue in place with styrene cement.

Drill a hole on the seam as shown, TAP for a 2-56 screw. Make sure hole is on the centerline. Trim cross piece off and file the front tapered to fit the Draft gear box over the hole. Assemble the coupler with the spring side of the Draft gear box on the bottom and "no" lid on the top of the coupler. Fit the coupler into the pocket and secure with the plastic screw and trim screw flush with the top. Remove coupler, SNAP COVER plate back on the truck, slide coupler into the pocket from the front and secure with the trimmed screw.

Check coupler height and make any necessary adjustments.



Drill and Tap for 2-56 screw

