

NO.5® , #58 OR #148 IN NO.5® OR #242 DRAFT GEAR BOX

NO.5® , #58 OR #148 COUPLER CONVERSION

1. See manufactures instructions. Follow the instructions included with the couplers for assembly and adjustment.
2. Remove existing coupler and draft gear box if already assembled.
3. Assemble the No.5® or #58 Coupler with Centering Spring on top. Place Lid on Draft Gear Box.
4. Align coupler assembly on car centerline and secure to coupler mounting platform with a screw.
5. Check for correct coupler height, function, and clearance and make any adjustments necessary.

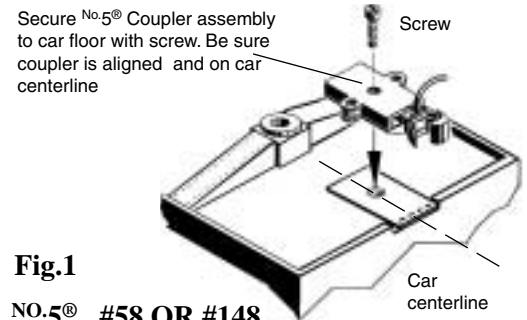


Fig.1

**NO.5® , #58 OR #148
Installation**

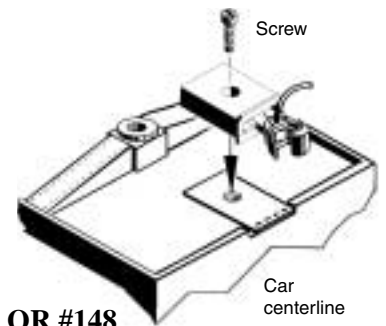


Fig.1

**NO.5® , #58 OR #148
Installation**