

BACHMANN

0-6-0 USRA SWITCHER

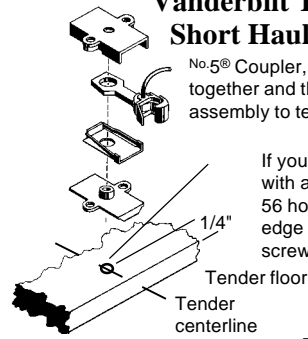
No.5® TENDER MOUNTED COUPLER CONVERSION

1. Clear a 1/2" long by 3/8" wide coupler mounting pad on the centerline of the tender.
2. Assemble the No.5® Coupler and glue together with tiny drops of glue placed sparingly along seams only.
3. After glue has dried, place No.5® assembly flush with rear edge, exactly on tender centerline, and glue in place with a plastic compatible cement. To secure coupler with a 2-56 screw, drill and tap a 2-56 hole 1/4" from rear edge of tender and exactly on tender centerline. Secure No.5® Coupler with 1/4" long 2-56 screw.
4. Check for correct coupler height, function, and clearance and make any adjustments necessary.

Vanderbilt Tender Short Haul Tender

No.5® Coupler, glue Draft Gear Box together and then glue coupler assembly to tender floor on centerline

If you wish to secure coupler with a screw, drill and tap a 2-56 hole 1/4" from rear tender edge and use a 1/4" long 2-56 screw



No.5® Installation

Fig.1