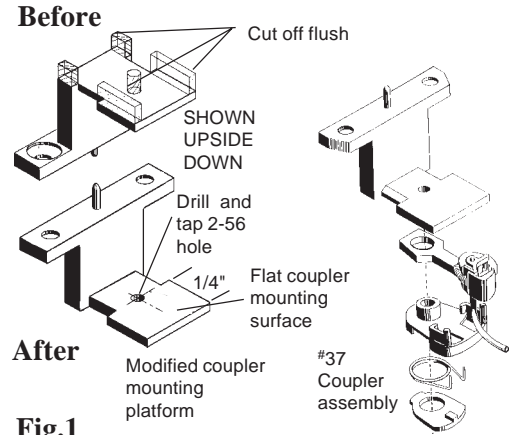


BACHMANN

EMD GP-40

#37 COUPLER CONVERSION

1. Remove existing coupler mounting bracket and coupler, discard coupler.
2. Carefully remove the side walls and centerpost (shaded portion) of the coupler mounting bracket flush with the coupler mounting surface, see Fig.1. Measure back 1/4" from front edge of coupler mounting platform and drill through, on loco centerline, with a #50 drill and tap hole for 2-56 threads. See Fig.1.
3. Assemble the #37 Coupler with the Coupler on top and the Torsion Spring on the bottom. Do not use the coupler lid. See Fig.2.
4. Reattach coupler mounting bracket. Align and secure coupler with 2-56 x 1/4" screw from below.
5. Check for correct coupler height, function, and clearance and make any adjustments necessary.



#37 Installation

Fig.2