

BACHMANN CHINA

PLYMOUTH SWITCHER

#37 COUPLER CONVERSION

1. Remove the existing couplers, saving screws and discarding couplers.
2. Trim front inside of the side walls of the coupler pocket at an angle, as shown in Fig.1. Trial fit 30-Series Draft Gear Box to be sure enough is trimmed.
3. Assemble the #37 Coupler with Coupler on top and Torsion Spring on bottom, as shown in Fig.1. Align and secure with screw.
4. Check for correct coupler height, function, and clearance and make any adjustments necessary.

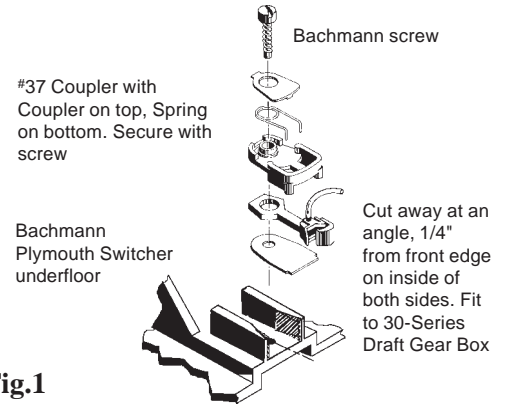


Fig.1
#37 Installation