

BACHMANN

4-8-4 GS4

#37 TENDER MOUNTED COUPLER CONVERSION

1. Clear a 1/2" long by 3/8" wide coupler mounting pad on the centerline of the tender.
2. Assemble the #37 Coupler and glue together with tiny drops of glue placed sparingly along seams only.
3. After glue has dried, place #37 assembly flush with rear edge, exactly on tender centerline, and glue in place with a plastic compatible cement. To secure coupler with a 2-56 screw, drill and tap a 2-56 hole 1/4" from rear edge of tender and exactly on tender centerline. Secure Coupler with 1/4" long 2-56 screw.
4. Check for correct coupler height, function, and clearance and make any adjustments necessary.

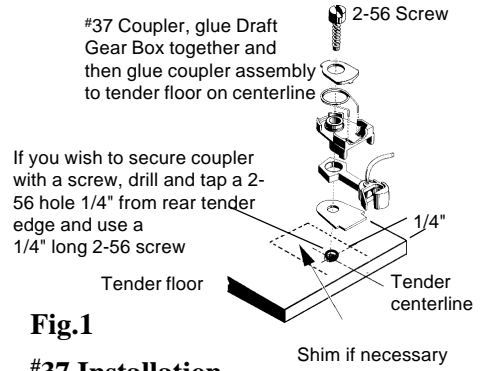


Fig.1
#37 Installation