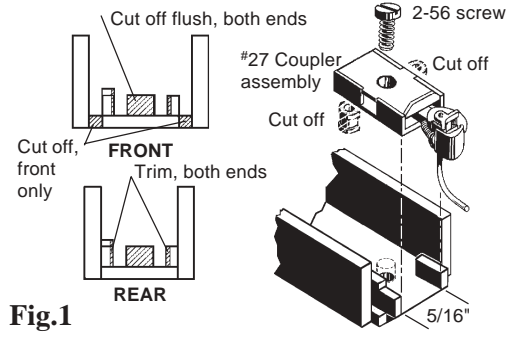


# IHC MEHANO

# CENTER CAB SWITCHER

## #27 COUPLER CONVERSION

1. Remove body, weights and underframe from chassis. Discard couplers.
2. Assemble the #27 Coupler in a No.5® Draft Gear Box per instructions and glue the lid on. Trim the ears off the box flush with sides.
3. Cut off IHC coupler centerpost, widen area between short platform sidewalls (not chassis side walls) to 5/16" by filing evenly on both sides. See Fig. 1 & 2.
4. Place couplers in chassis, temporarily replace underframe. Use coupler box (lip at end of underframe) to locate and mark mounting hole. Remove underframe. Drill and tap a 2-56 hole. Secure couplers with 2-56 screw. Trim screw flush with bottom of chassis. Trim underframe braces to clear screw heads. Trim top only of coupler pocket opening.
5. Check for correct coupler height, function, and clearance and make any adjustments necessary.



**Fig.1**

**#27 Installation**

**Fig.2**