

IHC MEHANO

MDT SWITCHER

#31 COUPLER CONVERSION

1. Remove the body, lead weights, cover plate and wheels (which are loose).
2. Assemble the #31 Coupler according to instructions with the Torsion Spring on the bottom and the Lid on the top. See Fig.1.
3. Mount the coupler on top of both ends of the cover plate. Use a #211 .015" thick Shim under the coupler and a 2-56 screw with a washer through the square hole and nut on top. Make sure the coupler is centered and slid forward to the end as far as possible. The ears of the #211 Shim should be at the edge of the cover plate.
4. Remove the entire coupler box upper deck from the underframe at both ends along with a part of the front and back face plate the same width of the coupler box. Be careful while cutting and filing so you won't remove any more than necessary. See Fig. 2.
5. File edges smooth and fit cover plate to underframe and check coupler height. Slip body on frame and make sure coupler shank clears upper lip of body coupler pocket opening. File the underside of the pocket lip if necessary for coupler shank clearance.
6. Check for correct coupler height, function, and clearance and make any adjustments necessary.

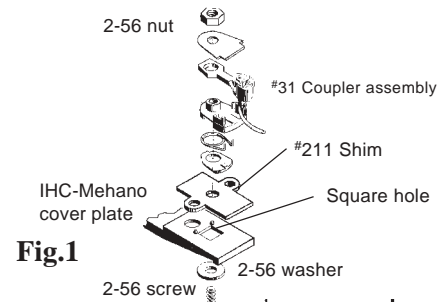


Fig.1

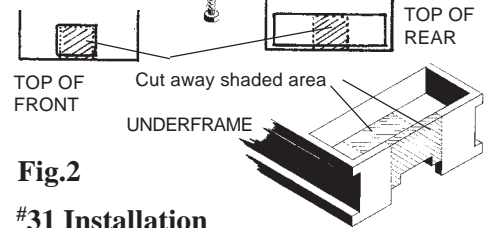


Fig.2

#31 Installation