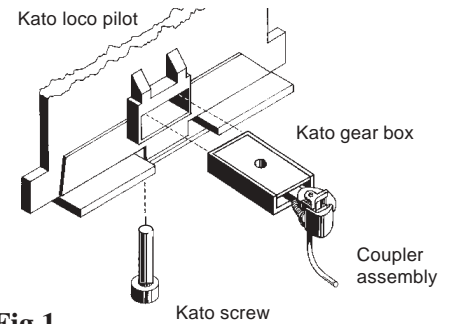


**NO.5® OR #58 COUPLER CONVERSION**

1. Remove the screw and remove coupler pocket from mounting platform. Save screw.
2. Remove the existing coupler.
3. Assemble the No.5® or #58 Coupler with Centering Spring on top. Place Lid on Draft Gear Box. place coupler pocket back in mounting platform and secure with screw.
4. Check for correct coupler height, function, and clearance and make any adjustments necessary.



**Fig.1**  
**No.5® or #58 Installation**