

LIFE-LIKE PROTO 1000

F-3 A & B

#23 COUPLER CONVERSION

1. Remove the screw and existing coupler. Save screw.
2. Assemble the #23 Coupler with Centering Spring on top. Place Lid on Draft Gear Box and secure with screw.
3. Check for correct coupler height, function, and clearance and make any adjustments necessary.

042004

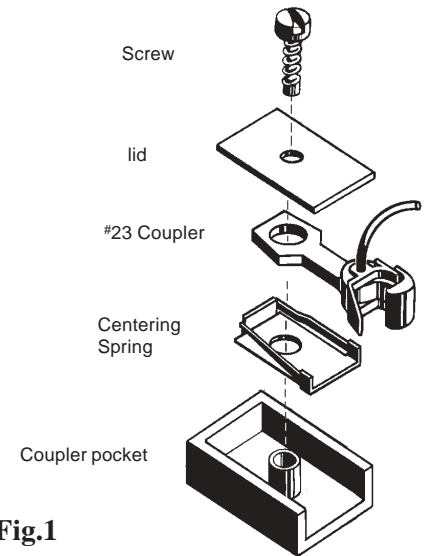


Fig.1
#23 Installation