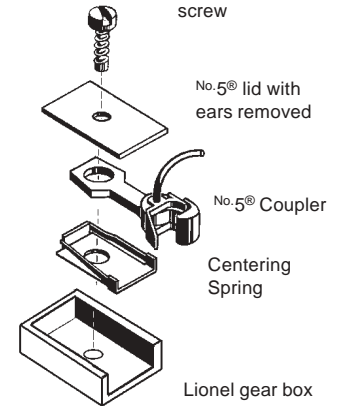


**LIONEL****PRE 1960 FREIGHT CARS****NO.5® OR #58 COUPLER CONVERSION**

1. Remove existing coupler.
2. Remove square post.
3. Drill (#50) and tap a 2-56 hole 1/4" from edge of model on centerline. Use a 2-56 screw of appropriate length to secure No.5® Coupler.
4. Assemble the No.5® or #58 Coupler with Centering Spring on top. Place Lid (with ears removed) on Draft Gear Box and secure with screw.
5. Check for correct coupler height, function, and clearance and make any adjustments necessary.

**Fig.1****No.5® or #58 Installation**

031604