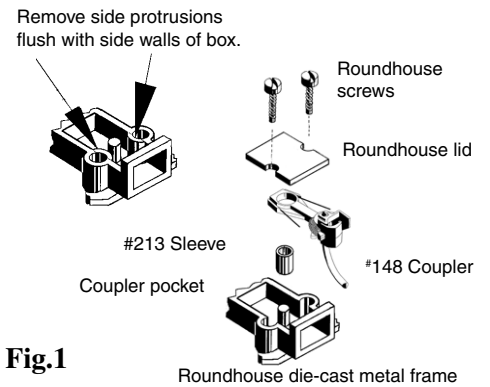


MDC - ROUNDHOUSE**HOPPER SAND & GRAVEL, ALL METAL****#148 COUPLER CONVERSION**

1. Remove existing couplers.
2. If any internal side protrusions are present in the coupler pocket, see Fig.1, remove them by cutting and/or filing until surface of sides are smooth and flat.
3. Place the #213 Sleeve over the centerpost. Place the #148 Coupler over the centerpost of the coupler pocket.
4. Assemble the lid over the adaptor plate and secure it with the two screws.
5. Dust the coupler with Kadee® #231 Grease-Em and lightly work the coupler back and forth to spread the graphite and coat the surfaces.
6. Check for correct coupler height, function, and clearance and make any adjustments necessary.

**Fig.1****#148 Installation**