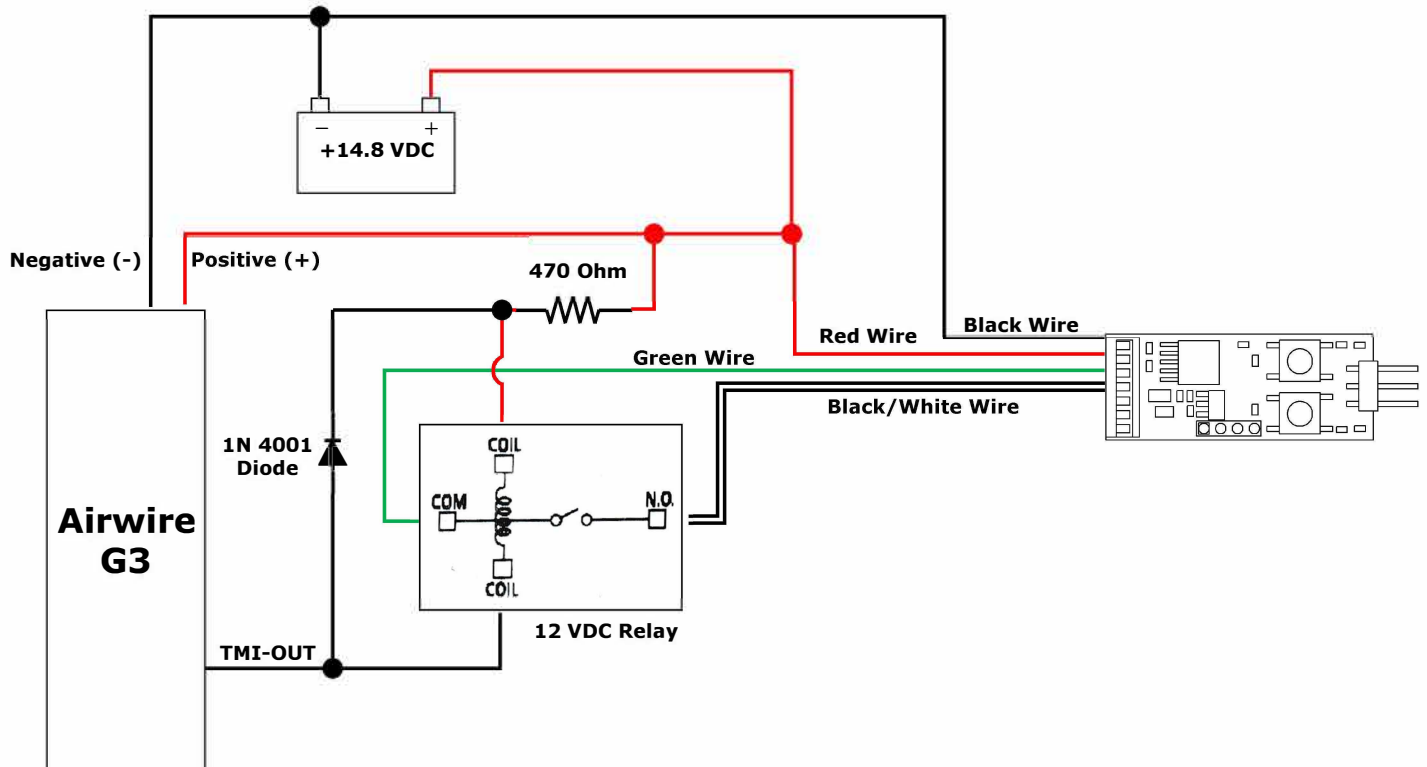


Kadee Servo Control with AirWire G3/G4 (14.8VDC)



Notes:

*1N 4001 Diode is highly recommended to reduce surge back through the locomotive control.

*470 Ohm Resistor drops 14.8VDC to a safe level for 12VDC Relay.

Components:

1N 4001 Diode

(Radio Shack No. 2761101)

12VDC Relay

(Radio Shack No. 2750031)

470 Ohm Resistor

(Radio Shack No. 2710009)

ALWAYS FOLLOW YOUR LOCOMOTIVE CONTROL USER GUIDE FOR CONNECTING DEVICES!