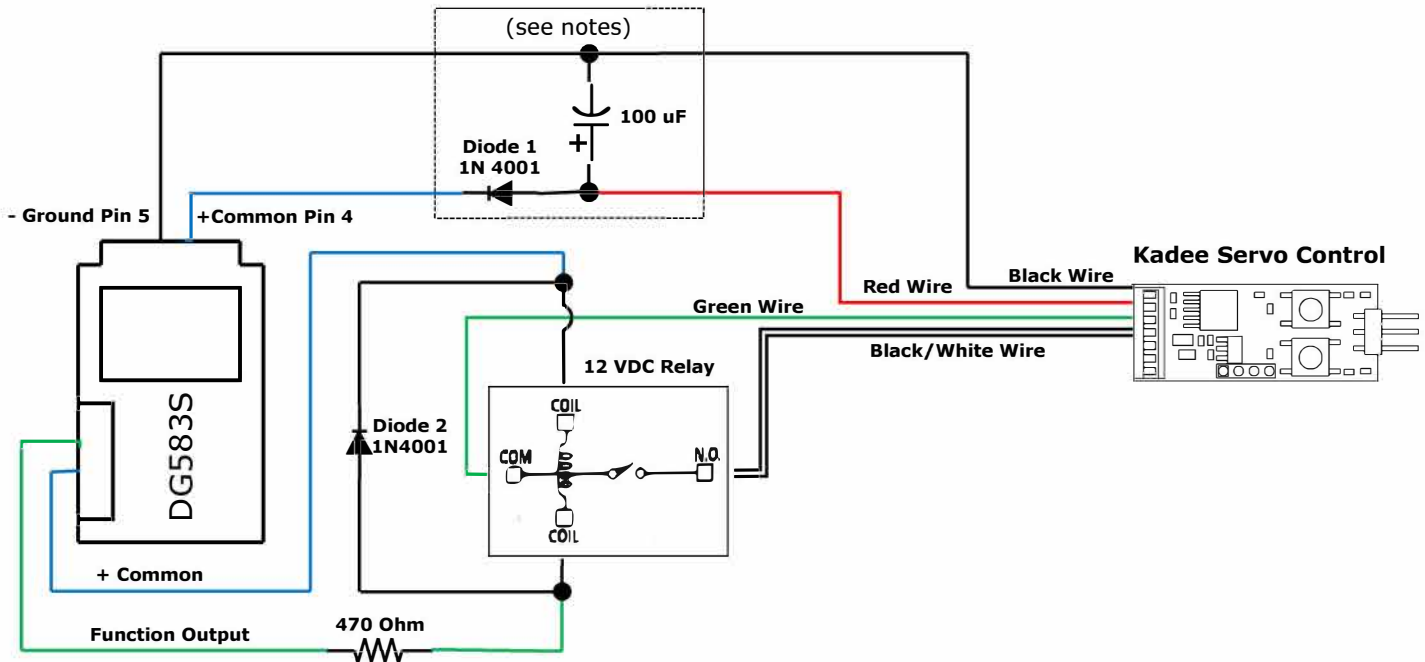


Kadee Servo Control with Digitrax DG583S (14.8VDC)



Notes:

Some locomotive controllers have voltage output for operating other devices. These voltage outputs often need to be smoothed out to supply clean voltage to the Kadee Servo Control.

If you have any jerky or instability with the Servo Control, include Diode #1 & a 100uF Capacitor as shown in the diagram above.

*Diode #1 & 100uF Capacitor clean up the DC output from locomotive control.

*Diode #2 is highly recommended to reduce surge back through the locomotive control.

*470 Ohm Resistor drops 14.8VDC to a safe level for 12VDC Relay.

Components:

Diode 1&2 1N 4001	(Radio Shack No. 2761101)
100 uF Capacitor (16v minimum)	(Radio Shack No. 2721028)
12VDC Relay	(Radio Shack No. 2750031)
470 Ohm Resistor	(Radio Shack No. 2710009)