

BACHMANN PLUS

#27 COUPLER CONVERSION

1. Remove existing couplers, save screws.
2. Modify the existing Bachmann coupler mounting bracket by trimming off the tab protrusions flush with the top of the side walls. This provides a flat surface for the lid to sit on.
3. Modify a 20-Series Draft Gear Box to create a flat lid. Cut off center hub and side walls flush with surface. File smooth and flat.
4. Assemble #27 Coupler with Centering Spring on top and Coupler on the bottom. Place over center hub in Bachmann Coupler pocket, align modified 20-Series Lid with hub and secure with Bachmann screw.
5. Check for correct coupler height, function, and clearance and make any adjustments necessary.

EMD GP-35

Modify #27 Draft Gear Box by cutting off center hub and side wall flush with surface

Bachmann coupler mounting bracket, modify by trimming tab protrusions flush to top of side walls

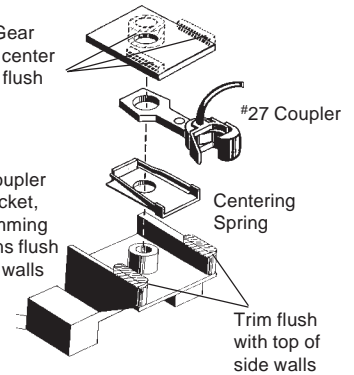


Fig.1

#27 Installation