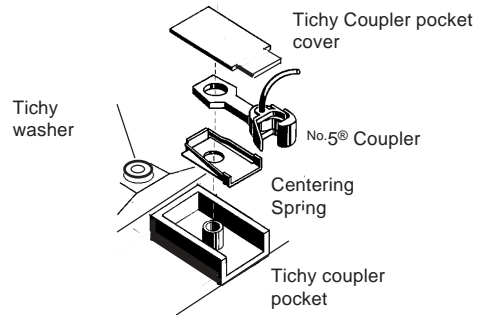


# TICHY TRAIN GROUP

## No.5® COUPLER CONVERSION

1. Remove existing coupler, if already assembled go to step three.
2. Glue Tichy end beam and coupler pocket in place, as per Tichy instructions, with a plastic compatible cement.
3. Assemble the No.5® Coupler with Centering Spring on top. Place in Tichy coupler pocket and place cover over pocket.
4. Secure coupler assembly with a plastic compatible cement applied sparingly along seams only.
5. Check for correct coupler height, function, and clearance and make any adjustments necessary.

# ALL ROLLING STOCK



**Fig.1**

## No.5® Installation